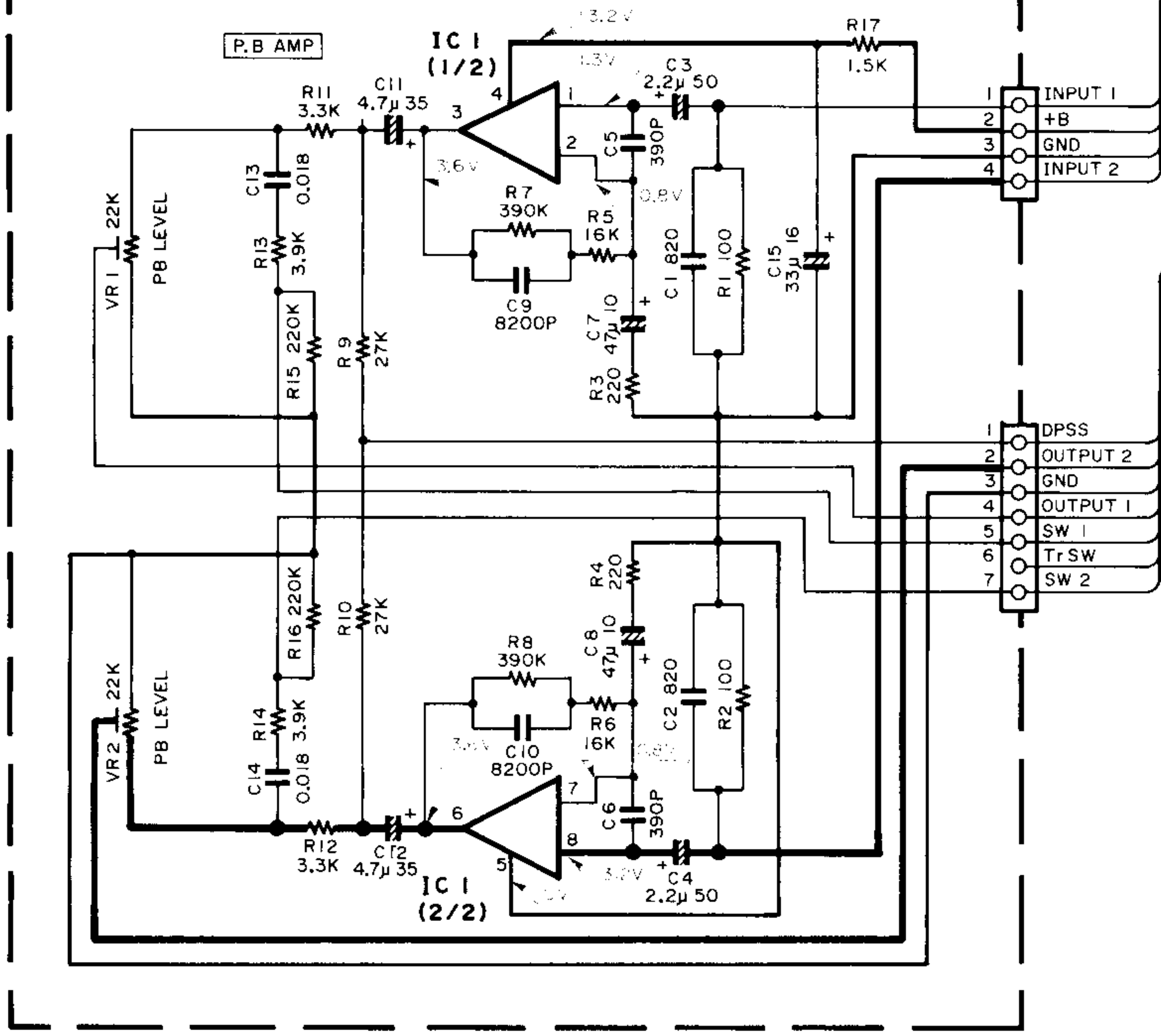


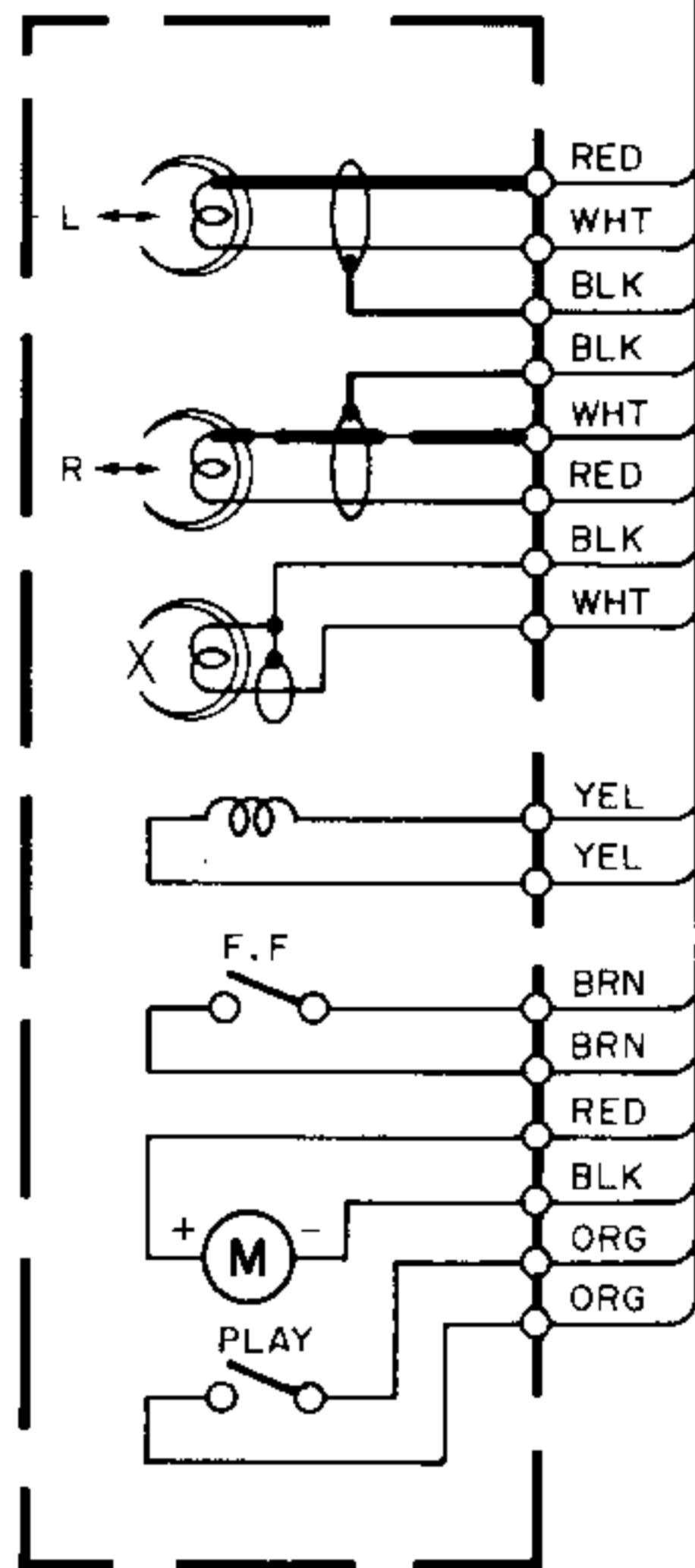
PLAYBACK AMP (X87-1060-02)



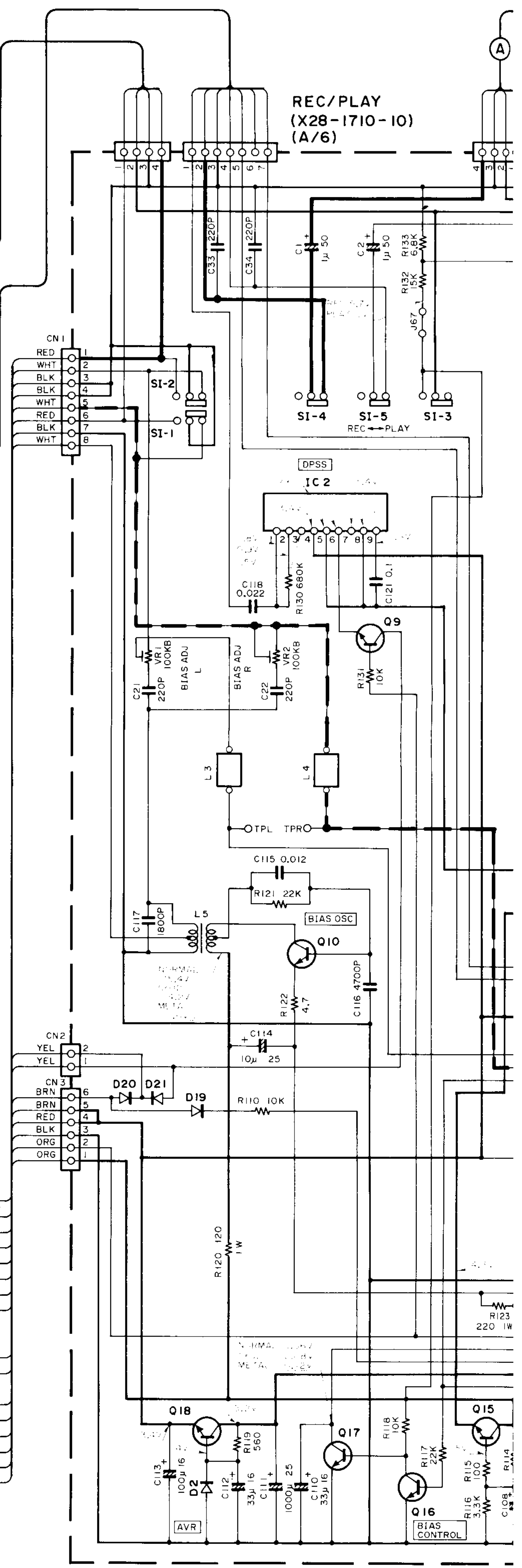
IC 1 :  $\mu$ PC1228HA

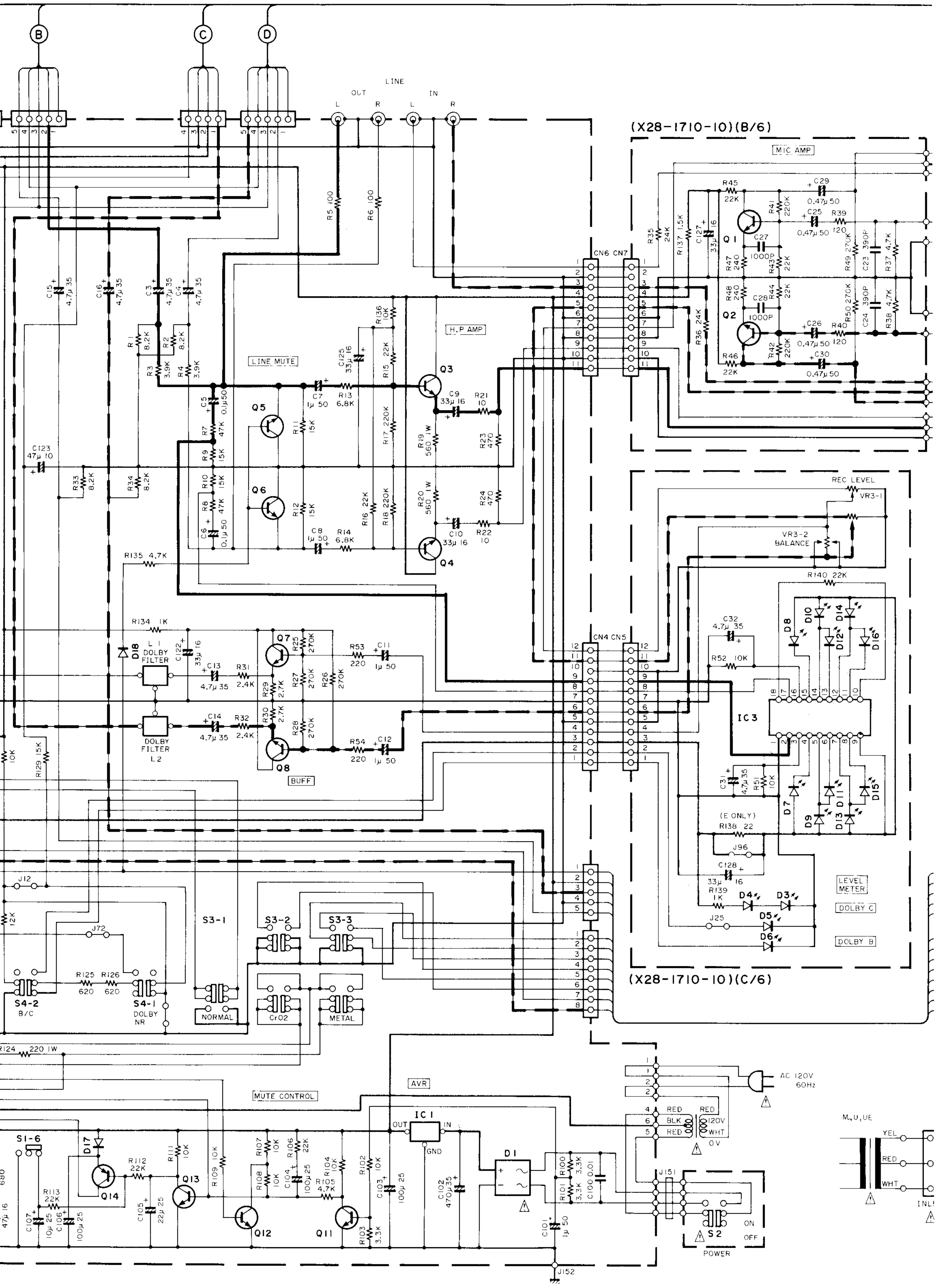
- |                  |                                     |
|------------------|-------------------------------------|
| IC 1             | : L78N18                            |
| IC 2             | : AN6263N                           |
| IC 3             | : AN6888                            |
| Q 1~6, 11~13, 16 | : 2SC1685(R,S) or 2SC1740S(Q,R)     |
| Q 7, 8           | : 2SC1845(F,E)<br>or 2SC1980(S,T)   |
| Q 9, 17          | : 2SC2320(E,F)                      |
| Q 10, 15         | : 2SD863(E,F)<br>or 2SC2060(Q,R)    |
| Q 14             | : 2SA933S(Q,R)<br>or 2SA1127NC(R,S) |
| Q 18             | : 2SD882(Q,P,E)<br>or 2SD612K(E,F)  |
| D 1              | : W02-5008L                         |
| D 2              | : RD15E(B)                          |
| D 3, 4, 7~16     | : B30-0431-05                       |
| D 5              | : B30-1080-05                       |
| D 6              | : B30-0432-05                       |
| D 17~21          | : ISS133<br>or ISS176               |

MECHANISM ASSY (D40-0336-05)

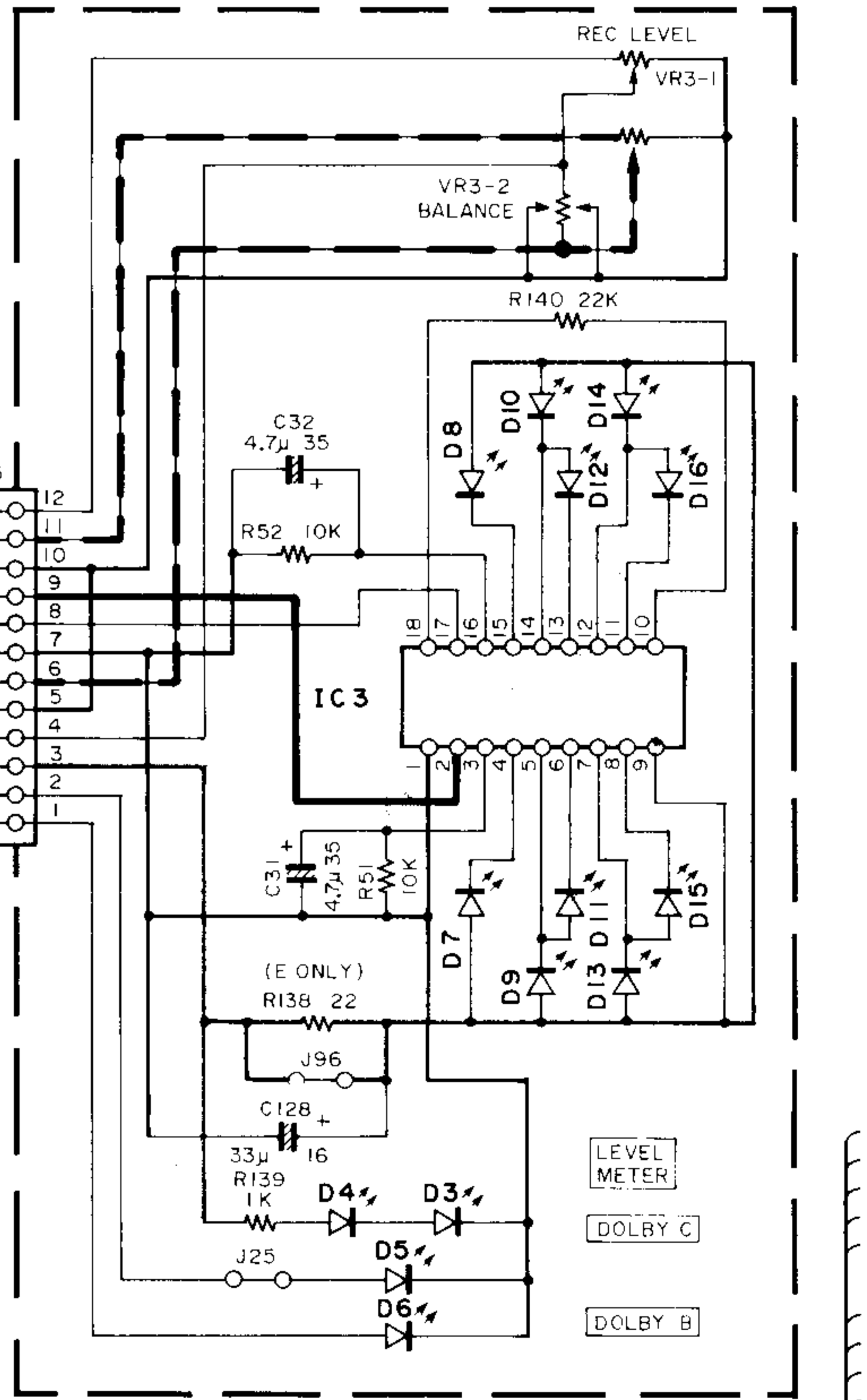
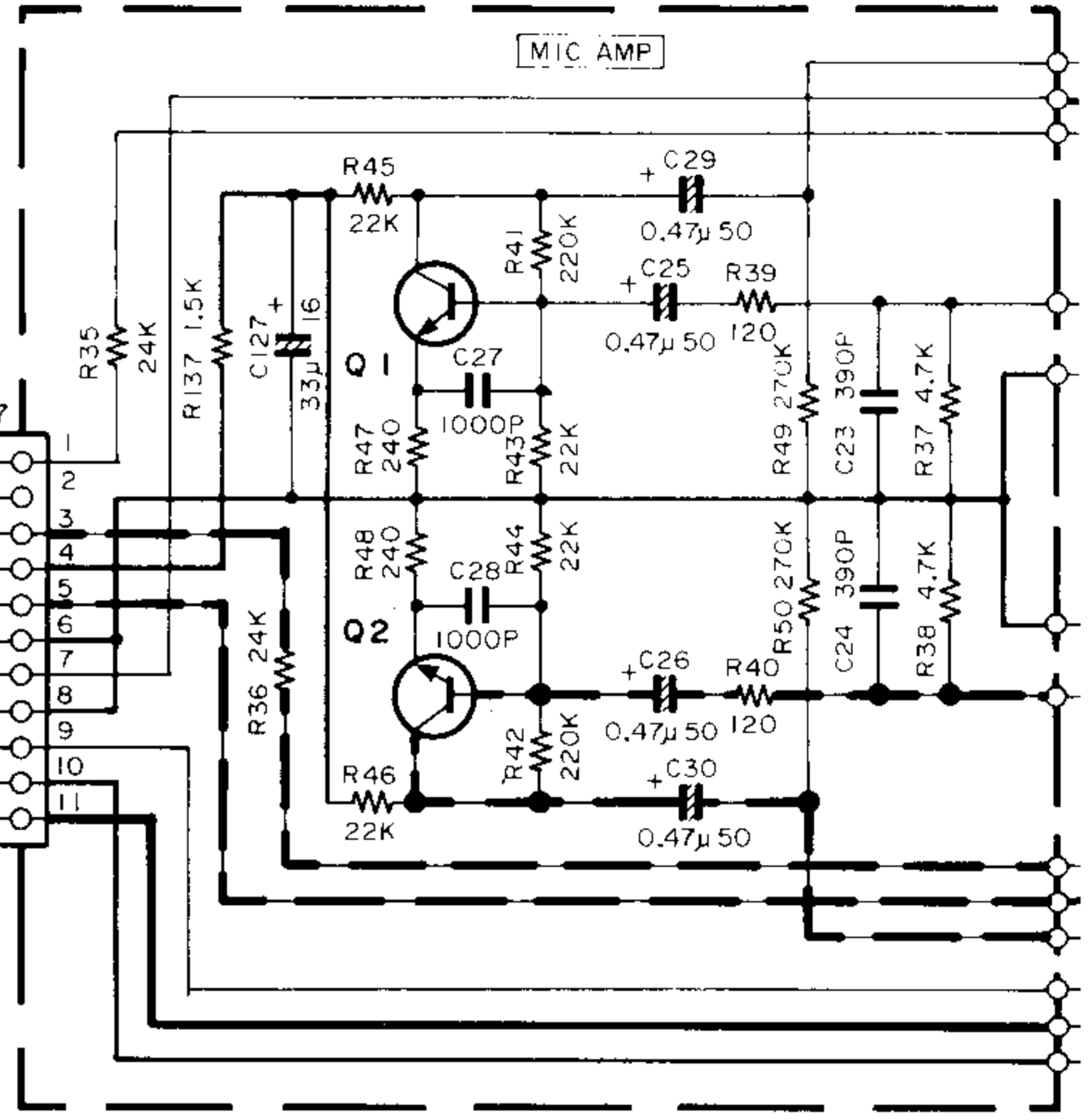


REC/PLAY (X28-1710-10) (A/6)

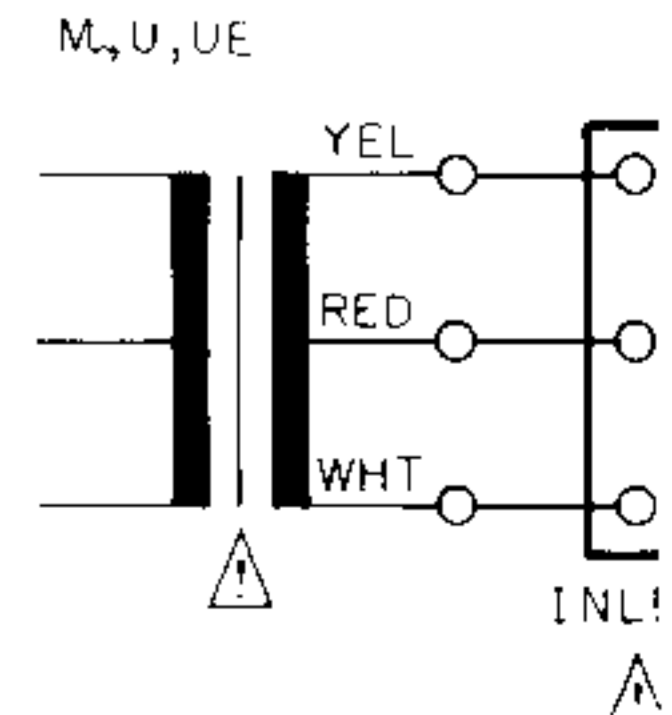


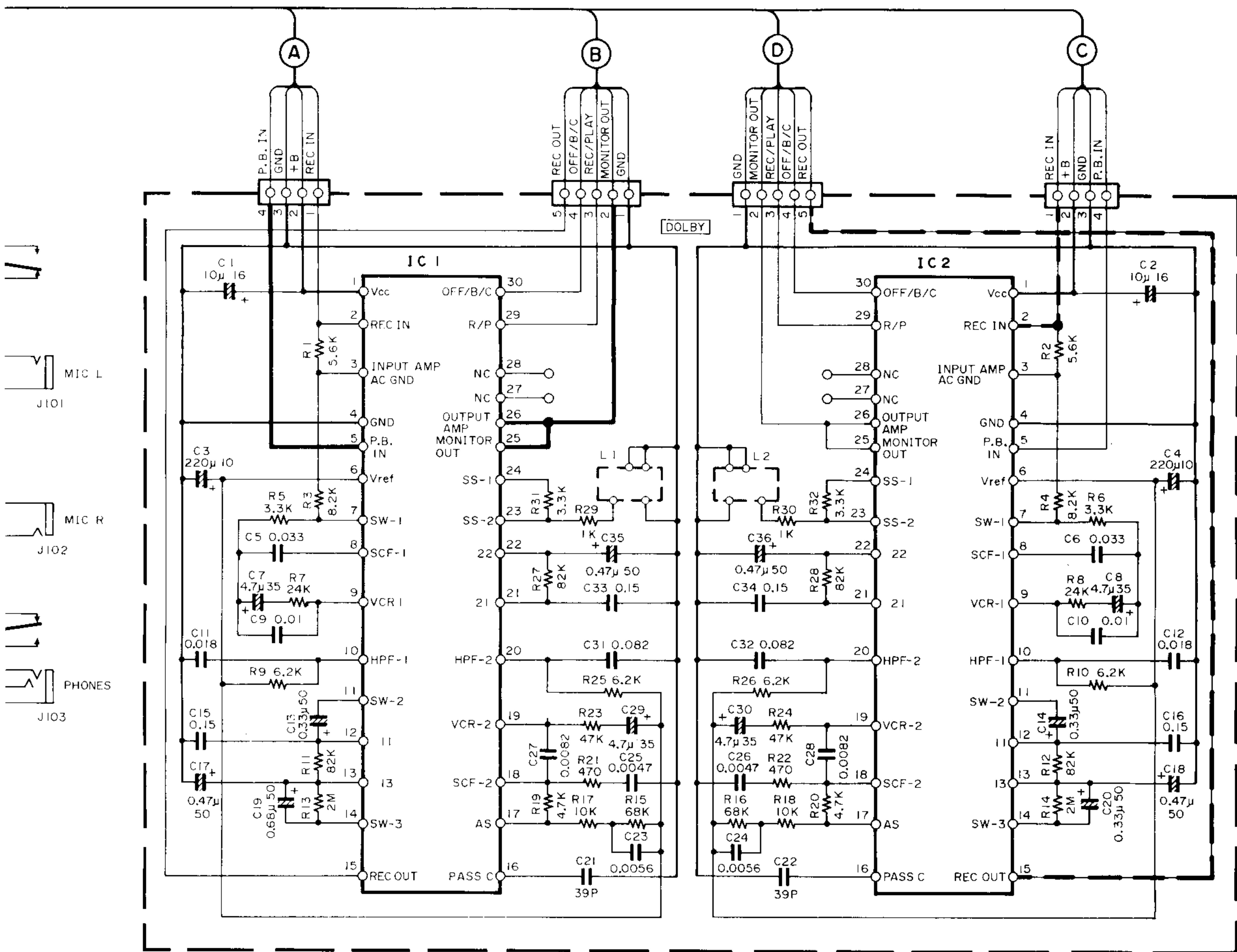


(X28-1710-10)(B/6)



(X28-1710-10)(C/6)

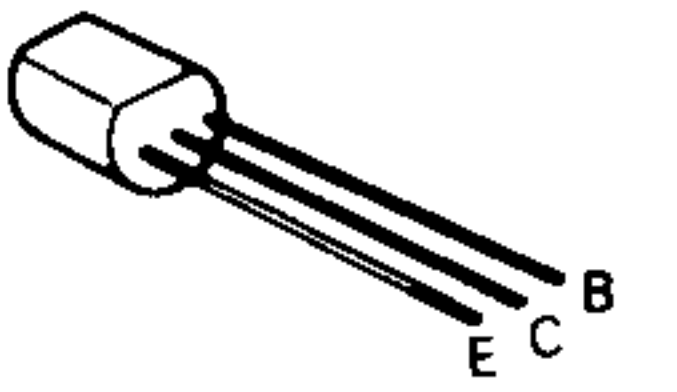




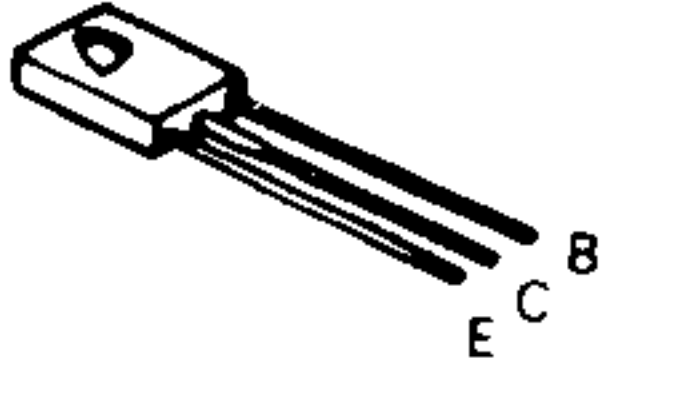
DOLBY NR (X87-1010-00)

IC 1,2 : HA12058NT

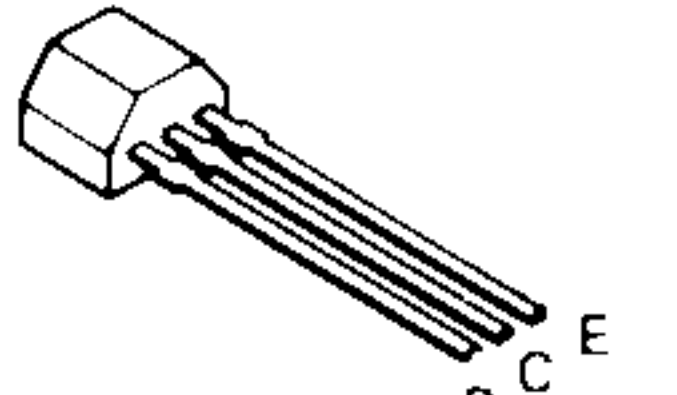
- 2SA1127NC
- 2SC1685
- 2SC1845
- 2SC1980
- 2SC2060
- 2SC2320
- 2SC945(A)
- 2SD863



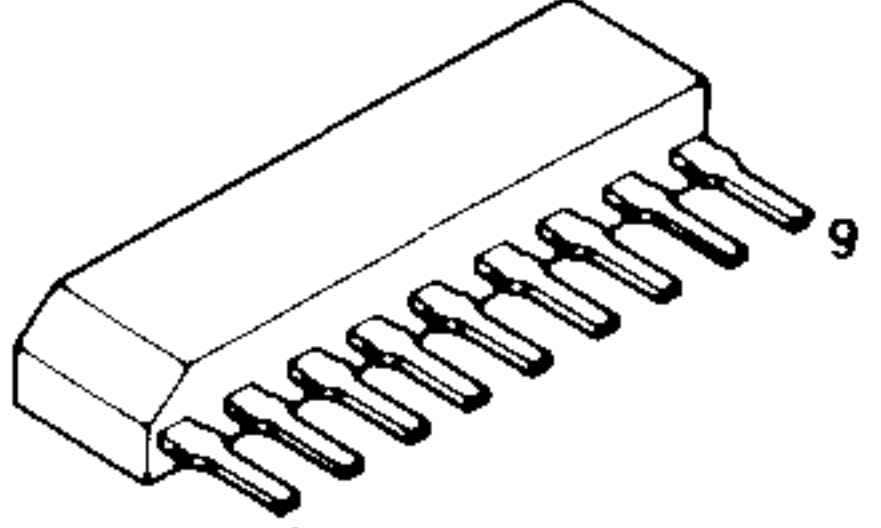
- 2SD612K
- 2SD882



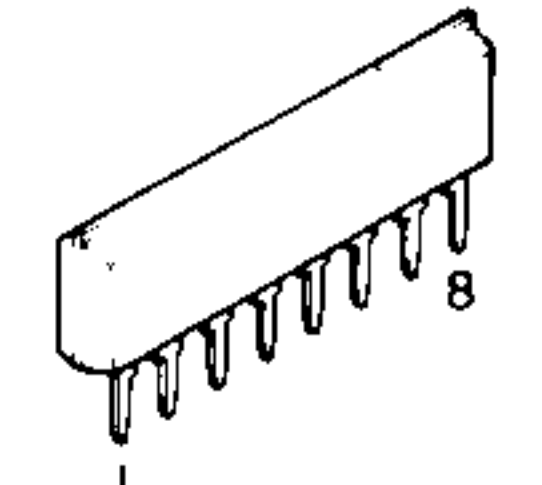
- 2SA933S
- 2SC1740S



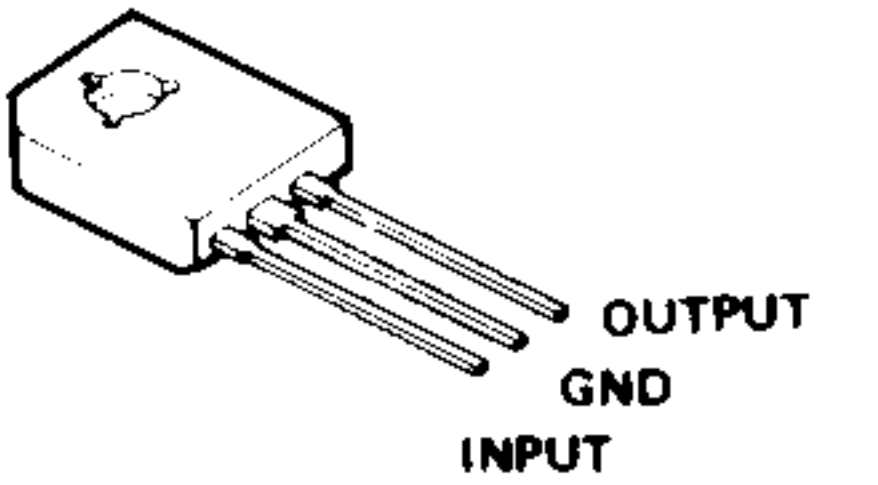
- AN6263N



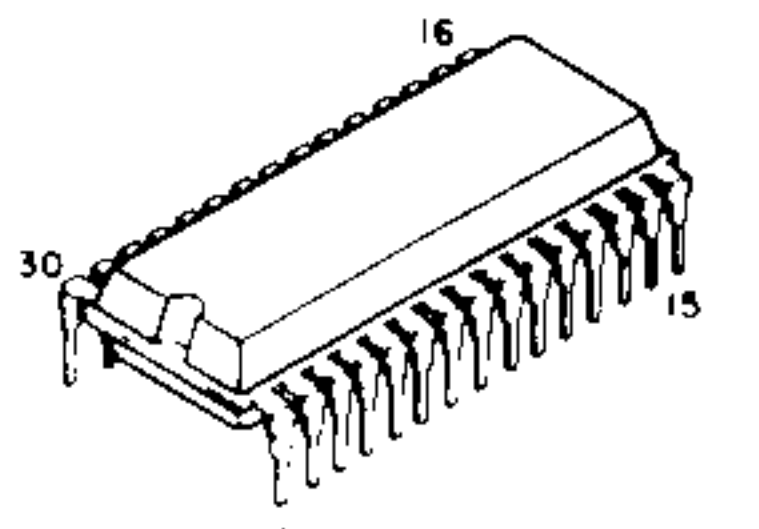
- μPC1228HA



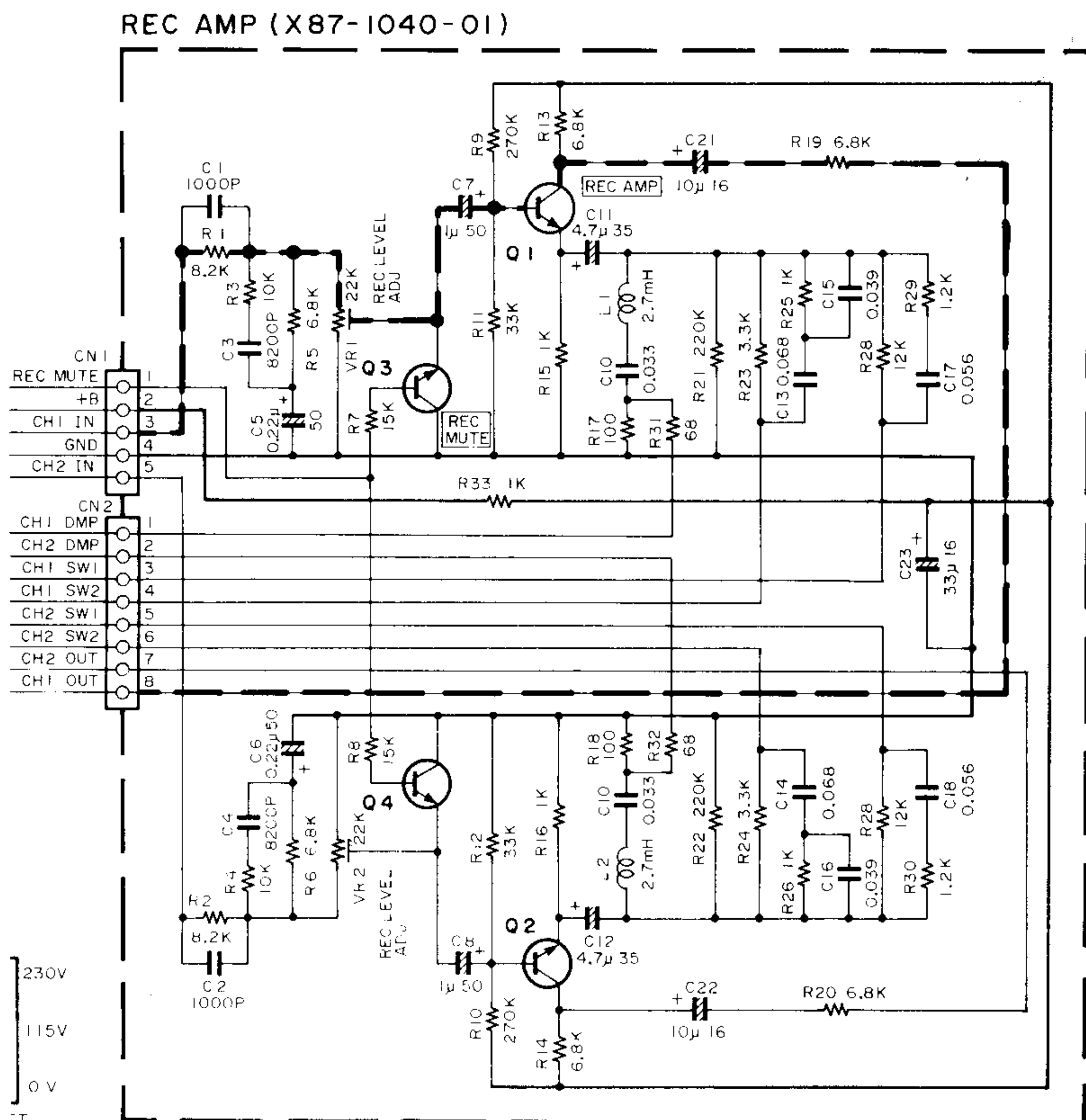
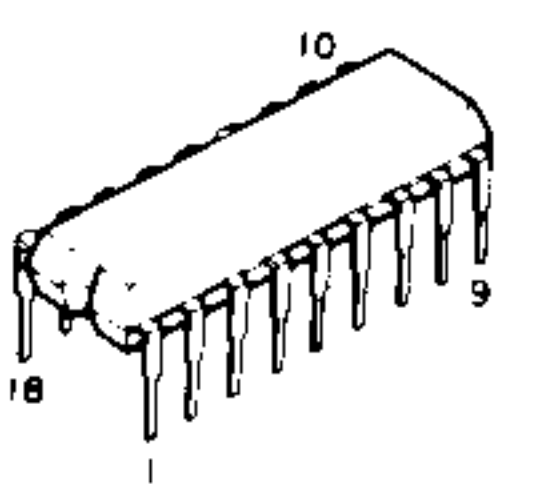
- L78N18



- HA12058NT



- AN6888



REC AMP (X87-1040-01)

- Q 1,2 : 2SC1845(F,E)  
or 2SC1980(S,T)
- Q 3,4 : 2SC1740S(Q,R)  
or 2SC945(A)(Q,P)  
or 2SC1685(R,S)

**CAUTION:** For continued safety, replace safety critical components only with manufacturer's recommended parts (refer to parts list).  $\Delta$  Indicates safety critical components. To reduce the risk of electric shock, leakage-current or resistance measurements shall be carried out (exposed parts are acceptably insulated from the supply circuit) before the appliance is returned to the customer.